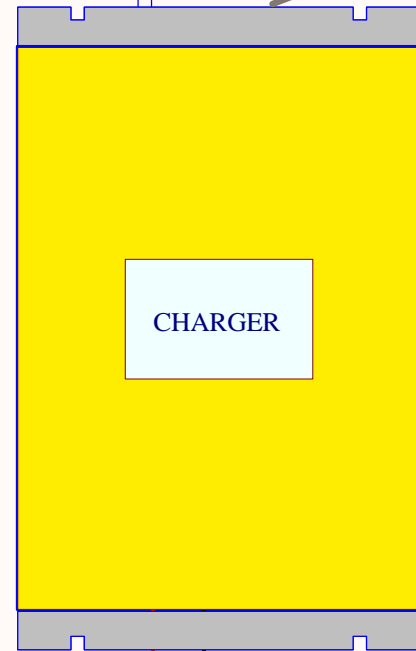


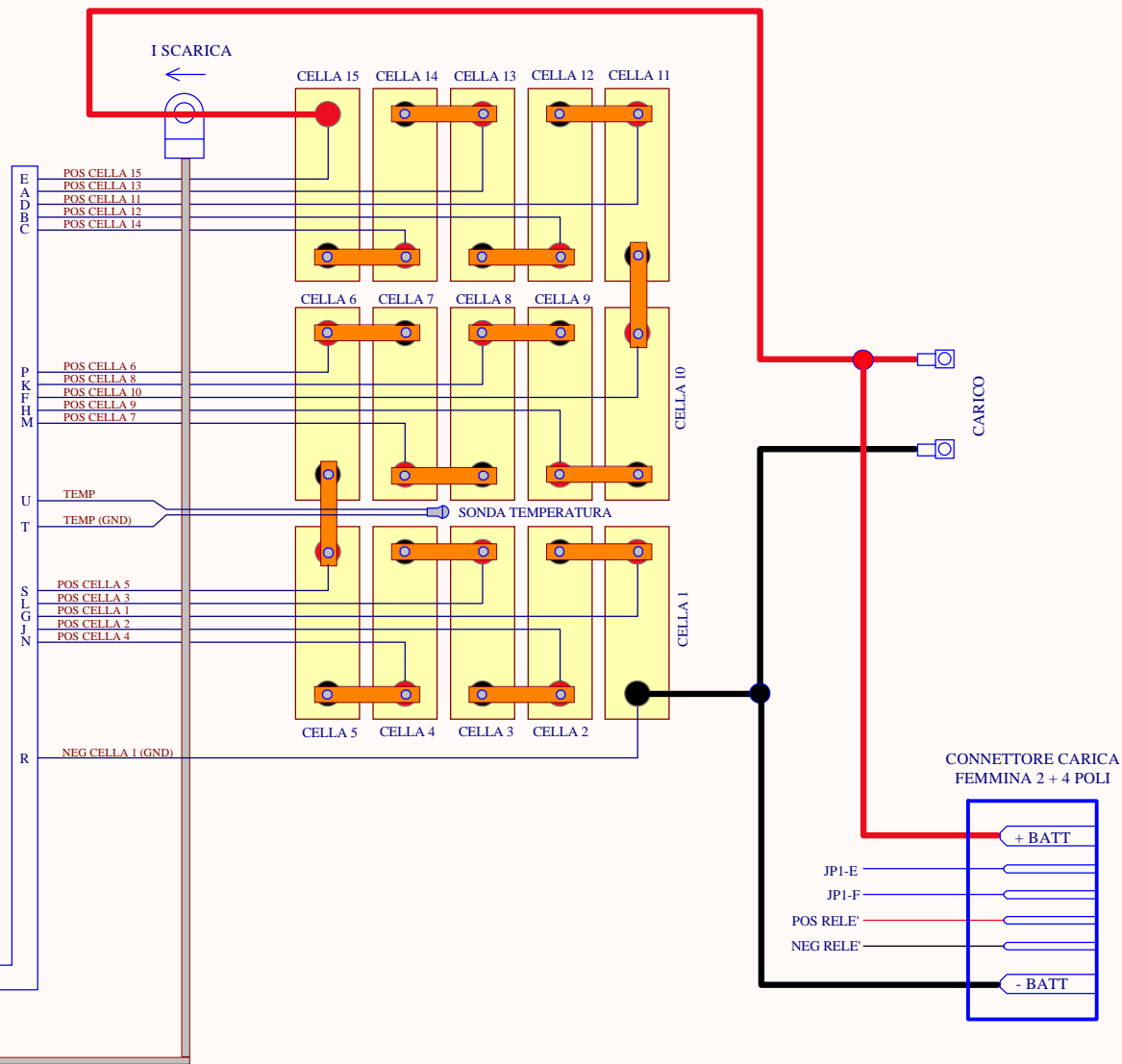
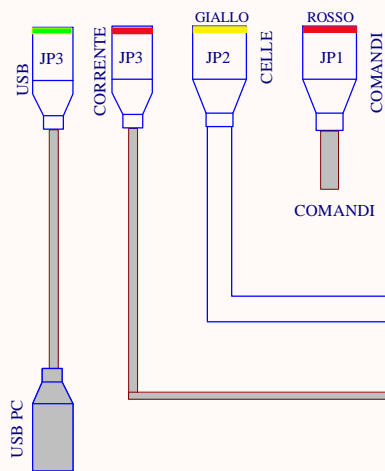
CAVO BMS CHARGE

POSITIVO CHARGE

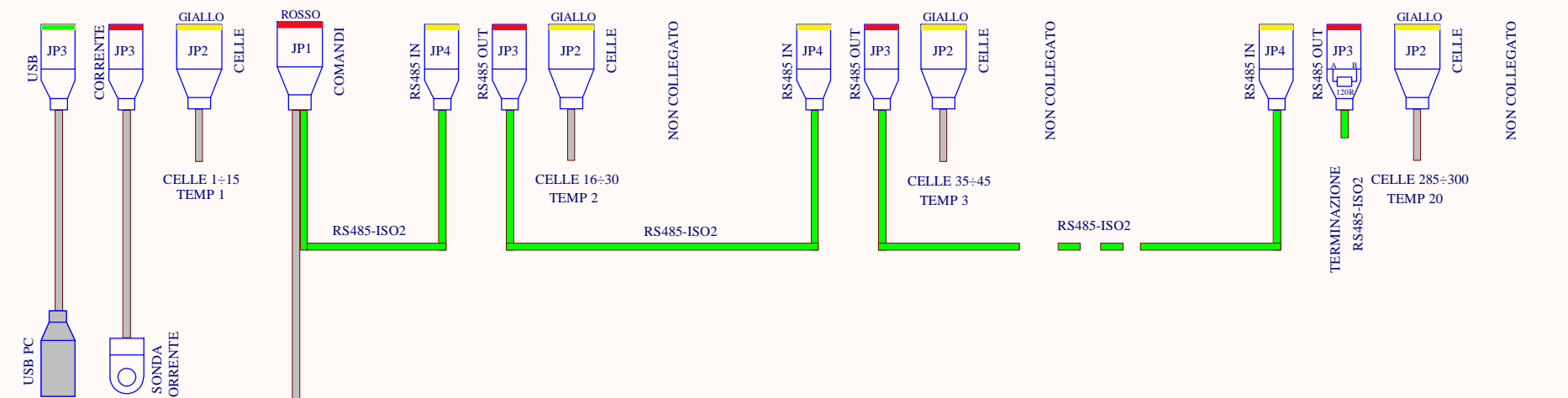
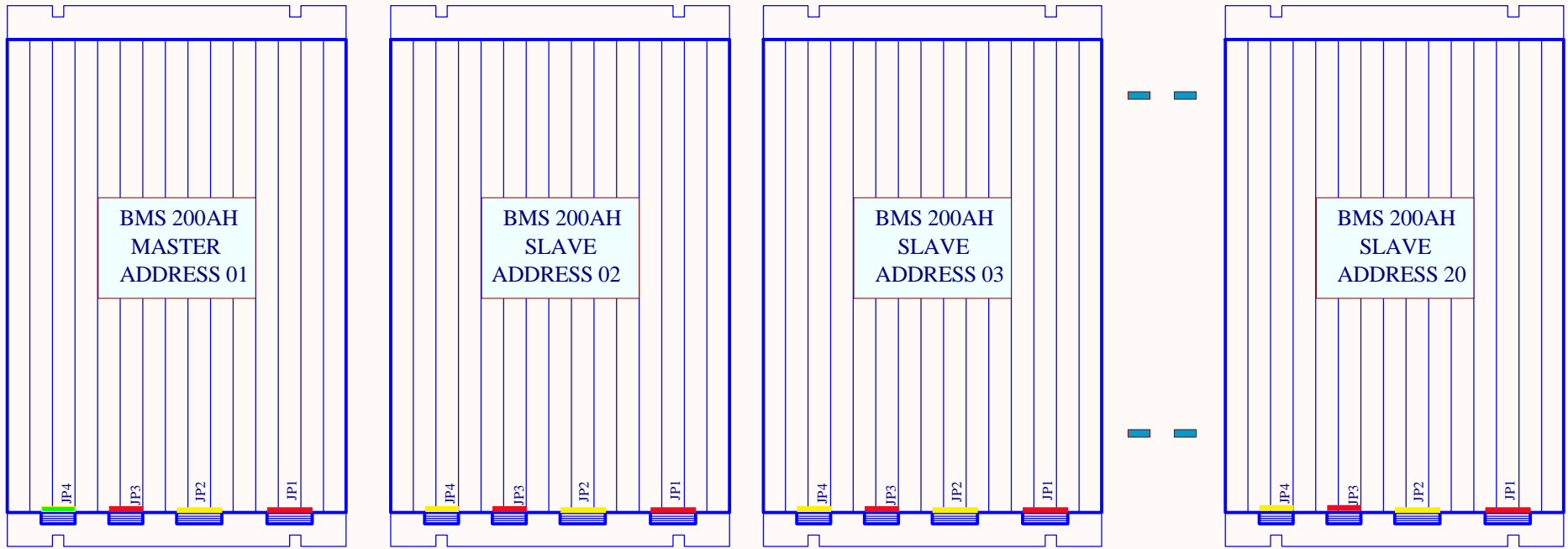
NEGATIVO CHARGE



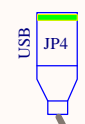
Project: BMS 15 CELLE 200A LIFEPO4				<p>SILIDEA S.r.l. Piazza Ragazzi, 14/2 45035 CASTELMASSA (RO) -ITALY- e-mail: info@silidea.it Tel. +39 0425 843129</p>
Name page: COLLEGAMENTO BMS MASTER-CHARGE				
Code: SCH000021-03				
Size: A4	Date: 04-02-2014	Rev: 03	Sheet: 3 8	
File: COLLEGAMENTO BMS 200AH PAG03.SchDoc				




Project: BMS 15 CELLE 200A LIFEPO4			
Name page: COLLEGAMENTO BMAS MASTER CELLE			
Code: SCH000021-03			
Size: A4	Date: 04-02-2014	Rev: 03	Sheet: 4 8
File: COLLEGAMENTO BMS 200AH PAG04.SchDoc			
			SILIDEA S.R.L. Piazza Ragazzi, 14/2 45035 CASTELMASSA (RO) -ITALY- e-mail: info@silidea.it Tel. +39 0425 843129

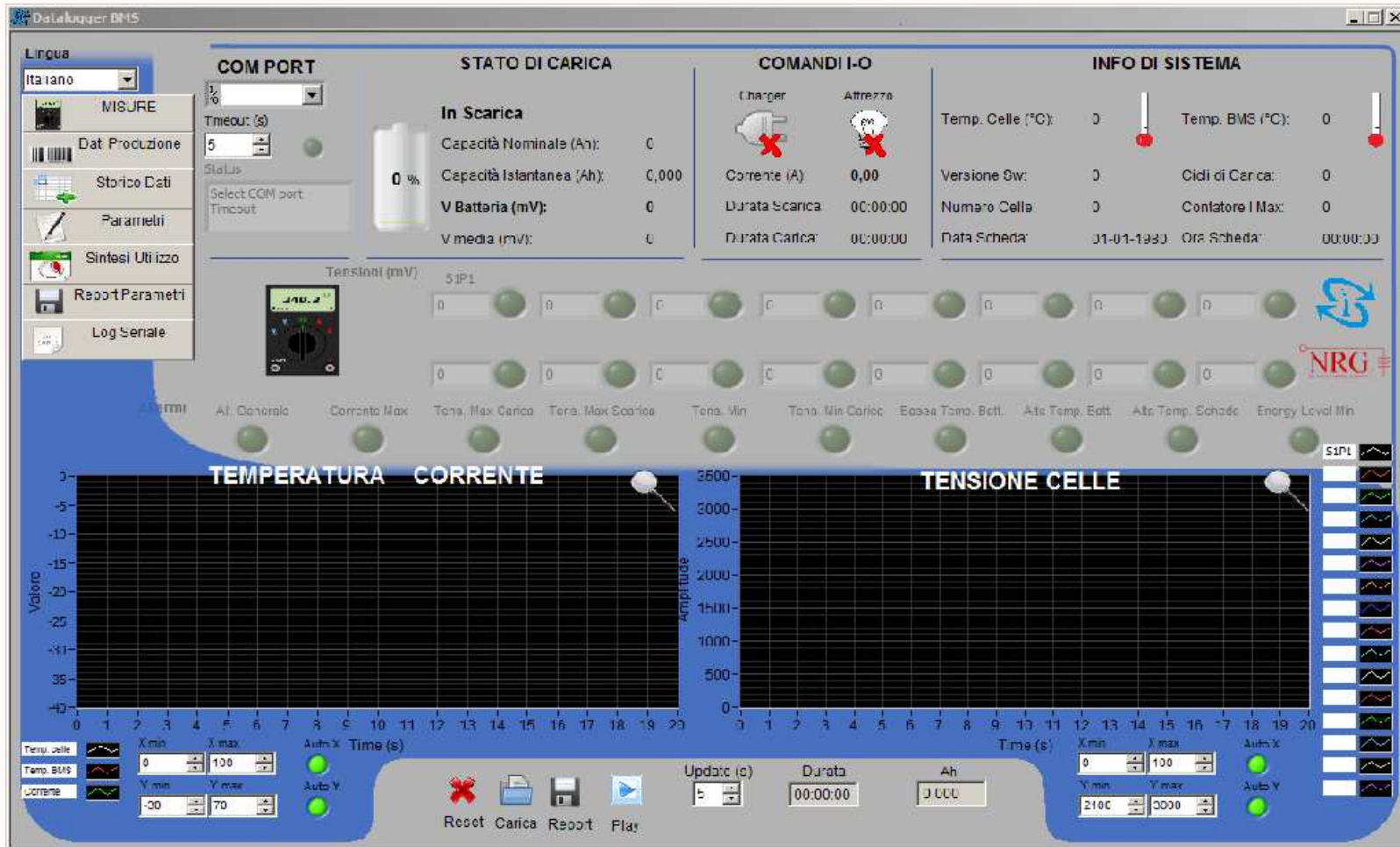


Project: BMS 15 CELLE 200A LIFEPO4			
Name page: COLLEGAMENTO BMS MASTER-SLAVE			
Code: SCH000021-03			
Size: A4	Date: 04-02-2014	Rev: 03	Sheet: 5 8
File: COLLEGAMENTO BMS 200AH PAG05.SchDoc			
			 SILIDEA S.r.l. Piazza Ragazzi, 14/2 45035 CASTELMASSA (RO) - ITALY - e-mail: info@silidea.it Tel. +39 0425 843129



Project: BMS 15 CELLE 200A LIFEPO4				 SILIDEA S.R.L. Piazza Ragazzi, 14/2 45035 CASTELMASSA (RO) -ITALY- e-mail: info@silidea.it Tel. +39 0425 843129
Name page: COLLEGAMENTO PC				
Code: SCH000021-03				
Size: A4	Date: 04-02-2014	Rev: 03	Sheet: 6 8	
File: COLLEGAMENTO BMS 200AH PAG06.SchDoc				

## PC INTERFACE SOFTWARE



Project: BMS 15 CELLE 200A LIFEPO4				
Name page: PARAMETRI SOFTWARE PC				
Code: SCH000021-03				SILIDEA S.R.L. Piazza Ragazzi, 14/2 45035 CASTELMASSA (RO) -ITALY- e-mail: info@silidea.it Tel. +39 0425 843129
Size: A4	Date: 04-02-2014	Rev: 03	Sheet: 7 8	
File: COLLEGAMENTO BMS 200AH PAG07.SchDoc				